

# MPHD series

2,500kg / 3,000kg

## Heavy Duty Pedestrian Low Lift Pallet Truck

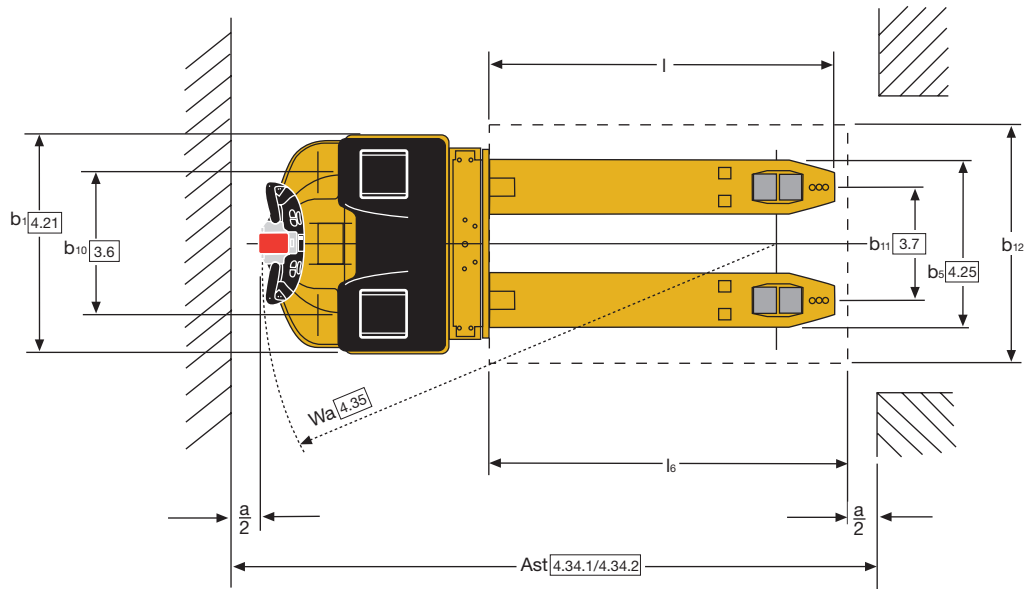
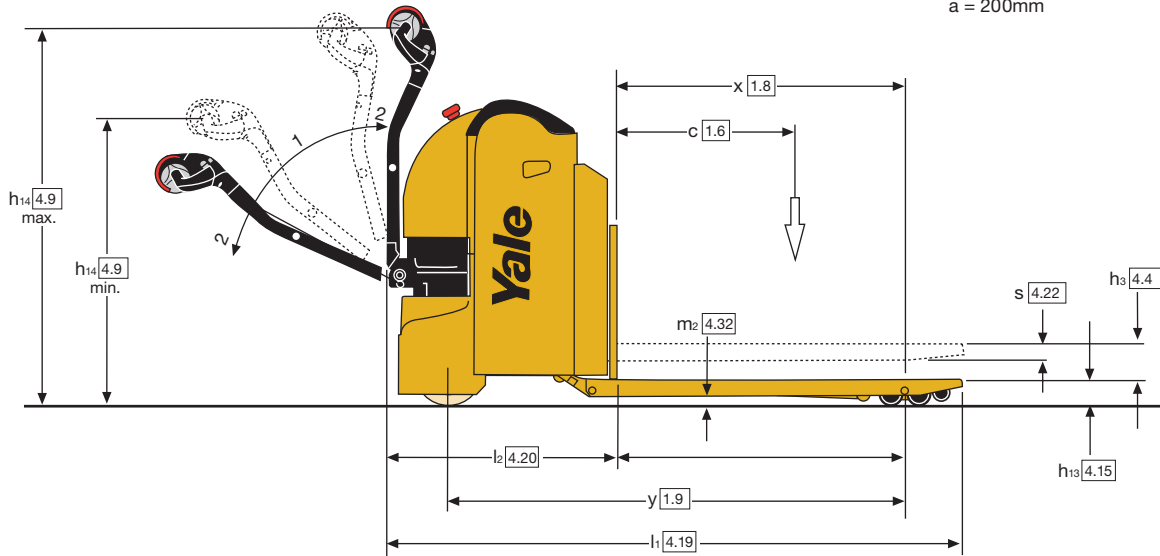


- Ergonomic tiller head and low mounted tiller arm offer excellent operator comfort
- Compact powerhead length and creep speed for excellent manoeuvrability
- 3 preset performance settings to suit driver preferences
- SEM drive motor and MOSFET transistor control
- On-board charger option

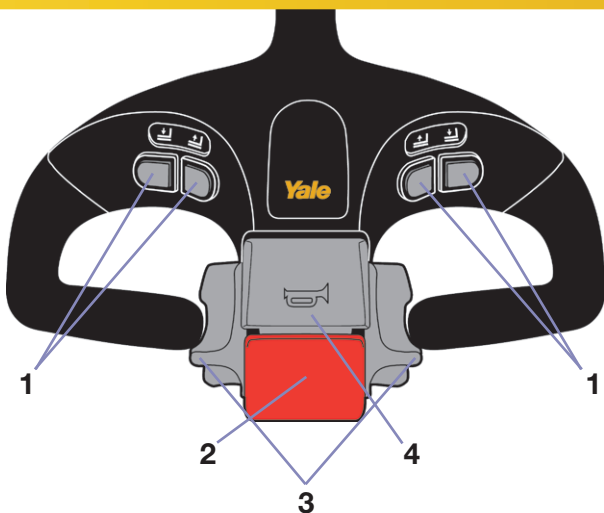
## Truck Dimensions

$$Ast = Wa + (l_6 - x) + a$$

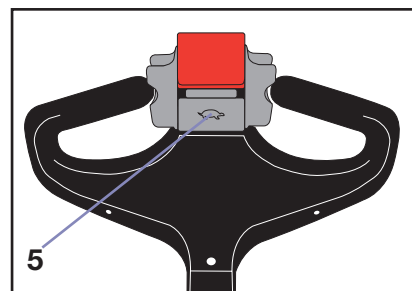
$$a = 200\text{mm}$$



## Tiller control



- 1 Lift / lower buttons
- 2 Travel direction inverter button
- 3 Butterfly control buttons for direction and speed
- 4 Horn
- 5 Creep speed control



## VDI 2198 – General Specifications

Distinguishing mark	1.1	Manufacturer (abbreviation)		Yale	Yale
	1.2	Manufacturer's type designation		<b>MP25HD</b>	<b>MP30HD</b>
	1.3	Drive: electric (battery or mains), diesel, petrol, fuel gas		Electric (battery)	Electric (battery)
	1.4	Operator type: hand, pedestrian, standing, seated, order-picker		Pedestrian	Pedestrian
	1.5	Rated capacity/rated load	Q (t)	2.5	3.0
	1.6	Load centre distance	c (mm)	600	600
	1.8	Load distance, centre of drive axle to fork	x (mm)	965	965
	1.9	Wheelbase	y (mm)	1526	1526
	Weights	2.1	Service weight	kg	633
2.2		Axle loading, laden front/rear	kg	- / -	- / -
2.3		Axle loading, unladen front/rear	kg	- / -	- / -
Tyres/chassis	3.1	Tyres: solid rubber, superelastic, pneumatic, polyurethane		Polyurethane /Vulkollan	Polyurethane /Vulkollan
	3.2	Tyre size, front	ø (mm x mm)	260 x 95	260 x 95
	3.3	Tyre size, rear	ø (mm x mm)	85 x 90	85 x 90
	3.4	Additional wheels (dimensions)	ø (mm x mm)	100 x 40	100 x 40
	3.5	Wheels, number front/rear (x = driven wheels)		1x + 2/4	1x + 2/4
	3.6	Tread, front	b <sub>10</sub> (mm)	488	488
	3.7	Tread, rear	b <sub>11</sub> (mm)	380	380
Dimensions	4.4	Lift	h <sub>3</sub> (mm)	120	120
	4.9	Height drawbar in driving position min./max.	h <sub>14</sub> (mm)	955 / 1240	955 / 1240
	4.15	Height, lowered	h <sub>13</sub> (mm)	85	85
	4.19	Overall length	l <sub>1</sub> (mm)	1913	1913
	4.20	Length to face of forks	l <sub>2</sub> (mm)	757	757
	4.21	Overall width	b <sub>1</sub> /b <sub>2</sub> (mm)	736	736
	4.22	Fork dimensions ISO 2331	s/e/l (mm)	55 / 180 / 1156	55 / 180 / 1156
	4.25	Distance between fork-arms	b <sub>5</sub> (mm)	560	560
	4.32	Ground clearance, centre of wheelbase	m <sub>2</sub> (mm)	30	30
	4.34.1	Aisle width for pallets 1000 x 1200 crossways	A <sub>st</sub> (mm)	2148	2148
	4.34.2	Aisle width for pallets 800 x 1200 lengthways	A <sub>st</sub> (mm)	2168	2168
4.35	Turning radius	W <sub>a</sub> (mm)	1733	1733	
Performance data	5.1	Travel speed, laden/unladen	km/h	5.7 / 6	5.5 / 6
	5.2	Lift speed, laden/unladen	m/s	0.029 / 0.037	0.029 / 0.037
	5.3	Lowering speed, laden/unladen	m/s	0.048 / 0.044	0.048 / 0.044
	5.8	Max. gradeability, laden/unladen	%	8 / 20	5 / 20
	5.10	Service brake		Electromagnetic	Electromagnetic
Electric engine	6.1	Drive motor rating S2 60 min	kW	2.6	2.6
	6.2	Lift motor rating at S3 15%	kW	1.4	1.4
	6.3	Battery according to DIN 43531/35/36 A, B, C, no		no	no
	6.4	Battery voltage/nominal capacity K5	(V)/(Ah)	24 / 300	24 / 300
	6.5	Battery weight	kg	233	233
	6.6	Energy consumption according to VDI cycle	kWh/h @ no. of cycles	0.47	0.50
8.1	Type of drive unit		-	-	
10.7	Sound level at the driver's ear according to DIN 12 053	dB(A)	< 70	< 70	

<sup>(1)</sup> These values may vary of +/- 5%

<sup>(2)</sup> Value referred to S3 6%

<sup>(3)</sup> Available battery 210/250Ah (DIN 43535 B Super).  
With battery 210/250Ah service weight -21kg

<sup>(4)</sup> Tiller in upright position

**All values are nominal values and they are subject to tolerances.**

**For further information, please contact the manufacturer.**

**Yale products might be subject to change without notice.**

**Lift trucks illustrated may feature optional equipment.**

**Values may vary with alternative configurations.**

# MPHD series

Models: MP25HD, MP30HD



## Tiller head and controls

The tiller head is designed for operator comfort and features an ergonomic shaped handle with angled grips and integral hand guard. Large dimensioned, low effort butterfly buttons control direction of travel and speed as well as the electromagnetic brake. All controls are accessible without having to lift the hand from the handle. Dual lift and lower buttons are conveniently located on the tiller head and can be readily accessed for left or right hand use. The travel direction inverter button is designed for maximum angle of contact with the operator's body. When activated, the direction of travel is automatically reversed and the truck comes to a stop. The horn is located on top of the tiller head and conveniently actuated by thumb or forefinger.

The creep speed control allows the truck to be operated with the tiller arm in the vertical position at reduced speed for manoeuvring in tight confines. 3 preset performance settings (soft, standard and hard) provide different performance levels for forward and reverse travel speeds, reverse current braking, release braking and acceleration. The settings are easily selectable to suit driver preference.

## Tiller arm

The tiller arm is low mounted requiring minimum steering effort while the tiller arm ensure the operating clearance when walking inside the truck envelope. The tiller arm is spring assisted and returns automatically to the vertical position when released.

## Chassis

The chassis design provides fully enclosed protection for the battery, drive train and main components. Compact powerhead dimensions make the machines highly manoeuvrable in tight confines without sacrificing battery capacity. The MP25HD and MP30HD feature a side battery removal option. An on-board charger is an optional extra on all models.

## Forks

Heavy-duty tandem load wheels are standard on the MP25HD and MP30HD models.

## Traction and pump control

A MOSFET high frequency controller is used to regulate traction and pump operation. Energy efficient, smooth progressive control is available at all times. The controller features automatic braking (reverse current braking) and regenerative braking on release of the butterfly buttons as well as anti-rollback start-up on an incline. 3 pre-set performance settings are available to the operator. Additionally, the controller can be adjusted for forward and reverse travel speeds, reverse current braking, release braking, lift speed and acceleration using a plug-in console. The controller features an in-built diagnostic system and alarm history as well as thermal protection.

## Drive unit

SEM drive motors are used to deliver fast travel speeds in the laden/unladen condition, high start-up torque and acceleration as well as efficient running. The use motor technologies eliminate forward and reverse contactors. The motors are mounted vertically for easy brush (on SEM) access, improved ventilation and minimum contamination from floor conditions.

## Hydraulics

The hydraulic pump is controlled directly by the controller. Lift and lower functions are actuated directly from the tiller head controls. The lift interrupt is feature is standard on all models. A transparent oil reservoir facilitates checking of the oil level.

## Brake

The electromagnetic brake is electrically released and spring applied. The brake is opened and closed by activation of the butterfly buttons with the tiller arm in the working position. The brake is closed by bringing the tiller arm to the vertical or horizontal position. Reverse current

braking is applied by inverting the direction of travel. Releasing the butterfly buttons induces both reverse current braking (adjustable) and regenerative braking.

## Instrumentation

A quick disconnect power cut-out button is positioned on the dashboard as well as a combined hour-meter and battery discharge indicator.

## Options

A comprehensive range of options including fork widths and lengths, rubber, non-marking and wet grip tyres, cold store protection, load backrest, on-board charger, and side battery removal is available.

## HYSTER-YALE UK LIMITED

trading as **Yale Europe Materials Handling**  
Centennial House, Frimley Business Park,  
Frimley, Surrey GU16 7SG, United Kingdom.

Tel: +44 (0) 1276 538500



Fax: +44 (0) 1276 538559

[www.yale-forklifts.eu](http://www.yale-forklifts.eu)



Publication part no. 220990137 Rev.07 Printed in The Netherlands (0318HG) EN.

**Safety:** This truck conforms to the current EU requirements. Specification is subject to change without notice.

Yale, VERACTOR and  are registered trademarks. "PEOPLE, PRODUCTS, PRODUCTIVITY", PREMIER, Hi-Vis, and CSS are trademarks in the United States and certain other jurisdictions. MATERIALS HANDLING CENTRAL and MATERIAL HANDLING CENTRAL are Service Marks in the United States and certain other jurisdictions.  is a Registered Copyright.  
© Yale Europe Materials Handling 2018. All rights reserved. Truck shown with optional equipment.  
Country of Registration: England and Wales. Company Registration Number: 02636775